

VAC

electrical suppliers

Fans

AC Fans 80mm, 120mm, 170mm



AC Axial Fan

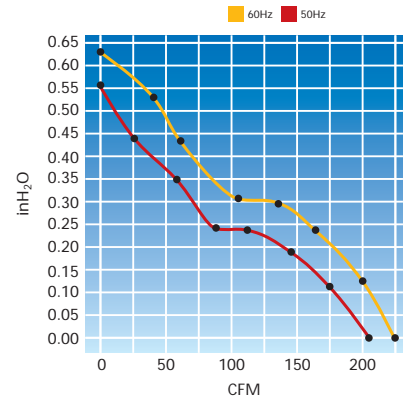
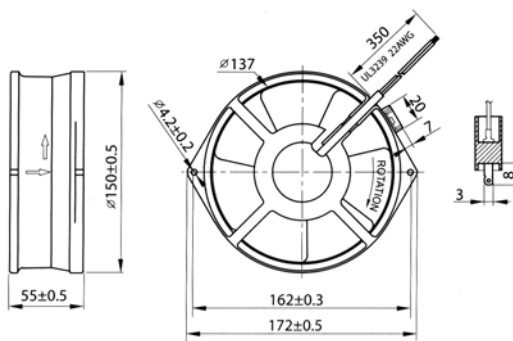
General Data

- Frame / Housing : Aluminium die-casting
- Impeller : Plastic 94V-0 PBT covering glass fiber or metal
- Bearing System : Ball bearing
- Motor : Shaded pole or capacitor induction
- Air Discharge Direction : Label side direction
- Connection : Lead wire or terminal type
- Protection : Impedance protection or thermal protection
- Insulation Resistance : Above 100MΩ, DC500V
- Dielectric withstand voltage : AC 1500V (50/60Hz) one minute
- Operating Temperature : Ball bearing: - 40°C~70°C
: * UF15P (UF17P): - 40°C~60°C
- Life Expectancy : Ball bearing over 40 000hr. (At 40°C)
- Safety Approval : UL, CUL, CSA, VDE, CE, TUV



15M Series

Size: 172mm x 150mm x 55mm
Metal Impeller



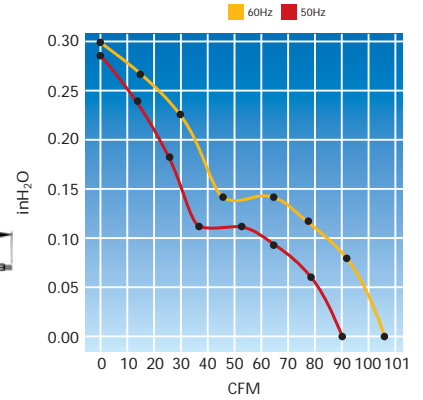
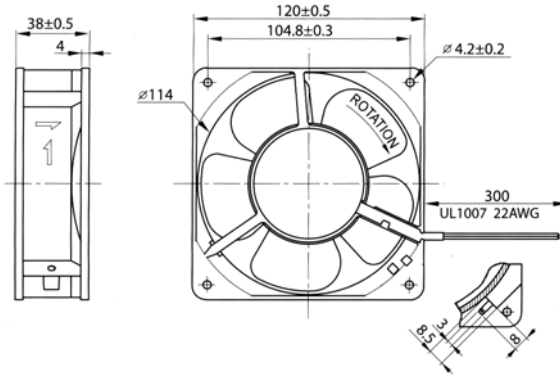
Terminal Type Specifications



Model	Rated Voltage V	Frequency Hz	Input Power W	Rated Current A	Locked Current A	Speed RPM	Maximum Air Flow M3/min	Maximum Air Flow CFM	Maximum Pressure MMH ₂ O	Maximum Pressure InchH ₂ O	Noise dB	Weight kg
15M11	115V	50	42	0.52	0.88	2800	5.5	195	14	0.55	49	1.10
		60	42	0.47	0.75	3250	6.5	230	16	0.63	53	
15M23	230v	50	42	0.25	0.43	2800	5.5	195	14	0.55	49	1.10
		60	42	0.23	0.37	3250	6.5	230	16	0.63	53	

12P Series

Size: 120mm x 120mm x 38mm
Plastic Impeller



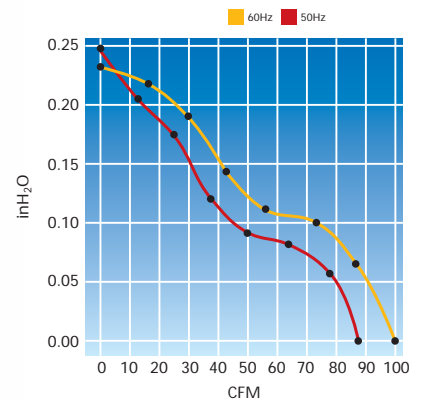
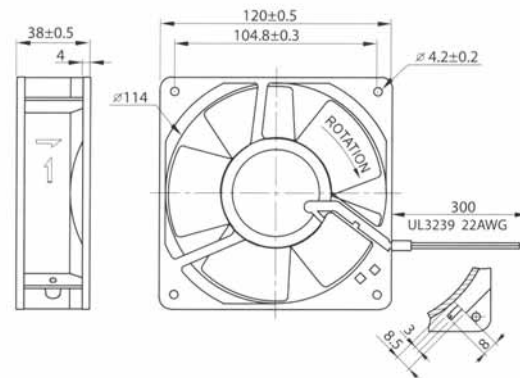
Terminal Type Specifications



Model	Rated Voltage V	Frequency Hz	Input Power W	Rated Current A	Locked Current A	Speed RPM	Maximum Air Flow M3/min	Maximum Air Flow CFM	Maximum Pressure MMH ₂ O	Maximum Pressure InchH ₂ O	Noise dB	Weight kg
12P11	115V	50	14	0.20	0.27	2700	2.6	92	8.0	0.32	42	0.53
		60	12	0.16	0.23	3100	3.0	106	8.0	0.32	46	
12P23	230v	50	17	0.10	0.14	2700	2.6	92	8.0	0.32	42	0.53
		60	15	0.08	0.12	3100	3.0	106	8.0	0.32	46	

12M Series

Size: 120mm x 120mm x 38mm
Metal Impeller



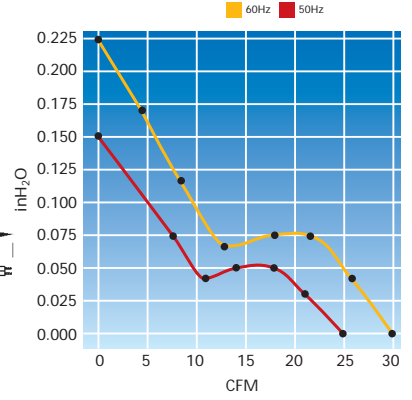
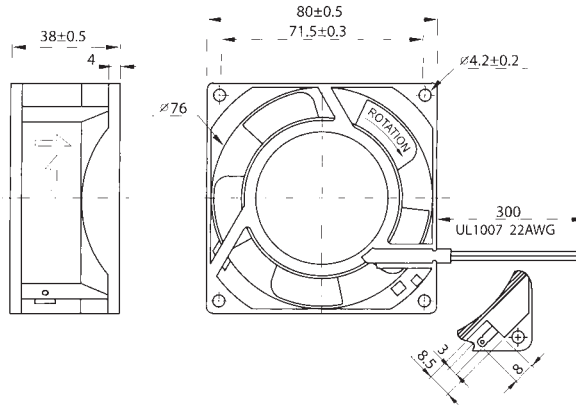
Terminal Type Specifications



Model	Rated Voltage V	Frequency Hz	Input Power W	Rated Current A	Locked Current A	Speed RPM	Maximum Air Flow M3/min	Maximum Air Flow CFM	Maximum Pressure MMH ₂ O	Maximum Pressure InchH ₂ O	Noise dB	Weight kg
12M11	115V	50	15	0.17	0.25	2700	2.5	89	6.5	0.26	42	0.55
		60	13	0.15	0.22	3100	2.9	103	6.0	0.24	46	
12M23	230v	50	17	0.10	0.13	2700	2.5	89	6.5	0.26	42	0.55
		60	15	0.09	0.12	3100	2.9	103	6.0	0.24	46	

80P Series

Size: 80mm x 80mm x 38mm
Plastic Impeller

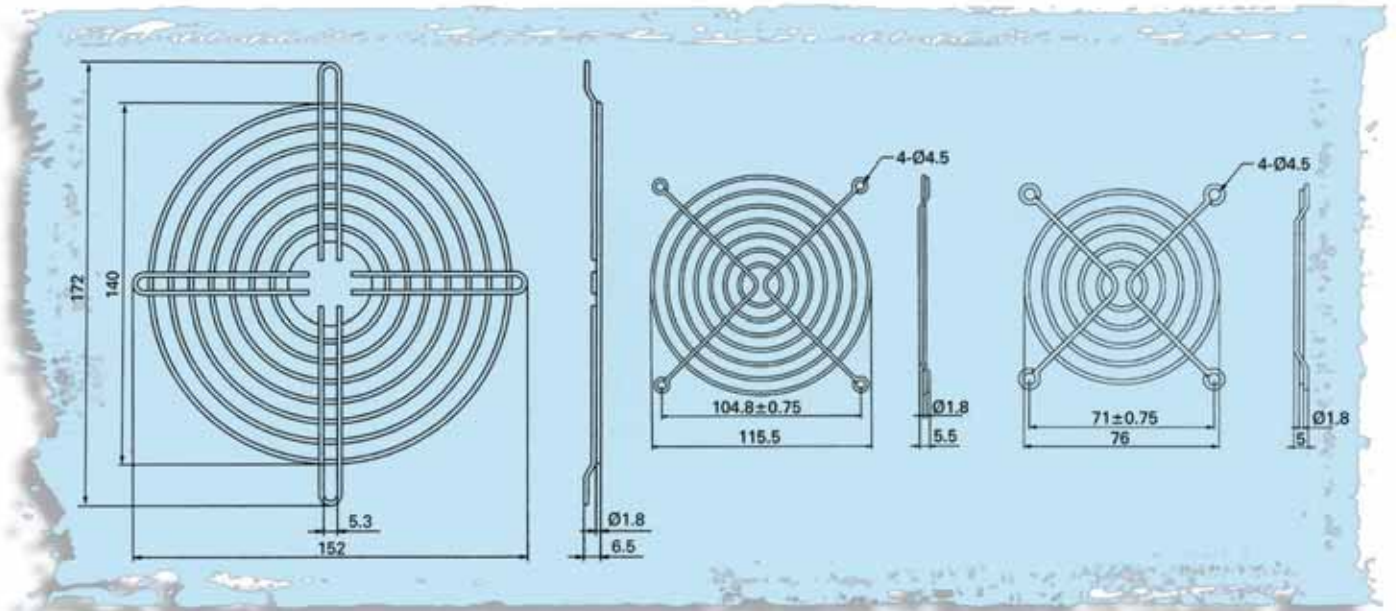
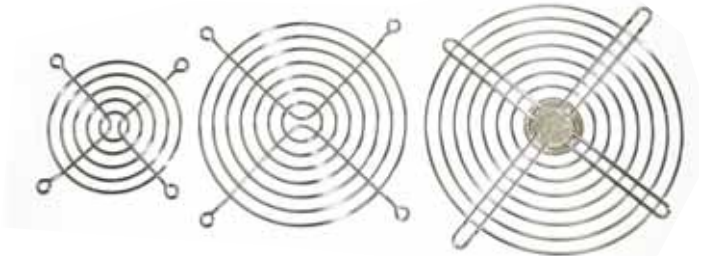


Terminal Type Specifications

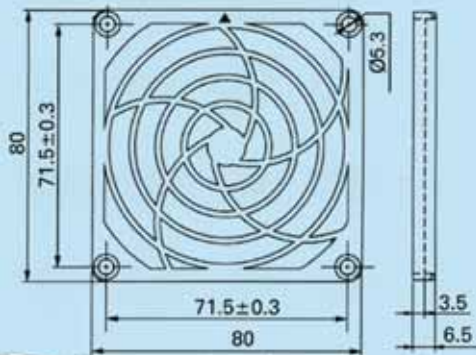
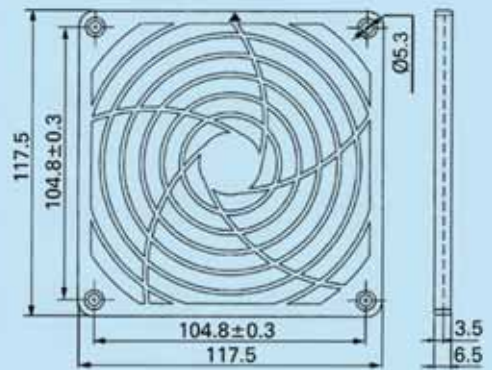
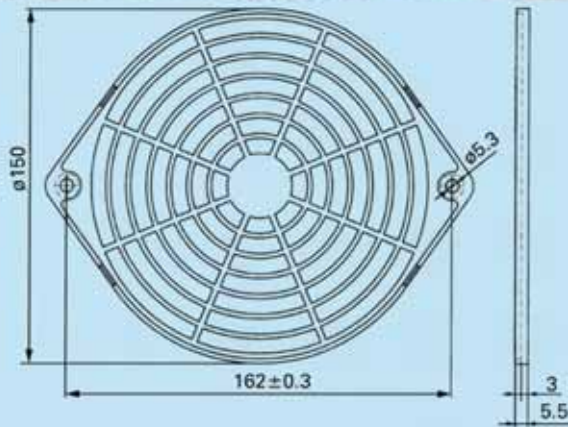


Model	Rated Voltage V	Frequency Hz	Input Power W	Rated Current A	Locked Current A	Speed RPM	Maximum Air Flow M3/min	Maximum Air Flow CFM	Maximum Pressure MMH ₂ O	Maximum Pressure InchH ₂ O	Noise dB	Weight kg
80P11	115V	50	12	0.14	0.15	2500	0.68	24	4.0	0.16	32	0.28
		60	9	0.12	0.13	3000	0.83	30	5.5	0.22	36	
80P23	230v	50	14	0.07	0.08	2500	0.68	24	4.0	0.16	32	0.28
		60	12	0.06	0.07	3000	0.83	30	5.5	0.22	36	

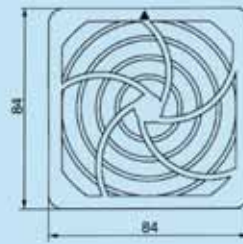
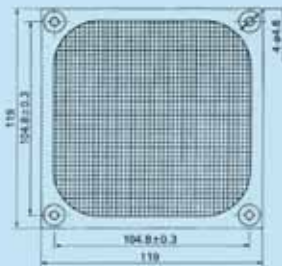
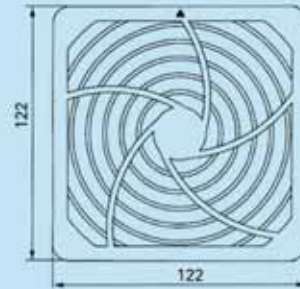
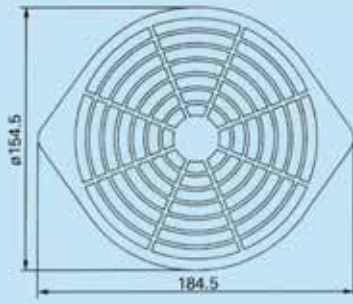
Fan Metal Guards (MG)



Plastic Guards (PG)



Plastic Filter Guards (PFG)



Plug Cords

